

## DYNAMIS

### LEAD-LINE 5-12 E

Rechargeable Sealed Lead-Acid Battery



#### Specification

**Nominal Voltage (V)** 12V

#### Nominal Capacity

20 hour rate (0,25A to 10,50V)	5Ah
10 hour rate (0,5A to 10,50V)	5Ah
5 hour rate (0,85A to 10,20V)	4.25Ah
1C (5A to 9,60V)	2.25Ah
3C (15A to 9,60V)	1.8Ah

**Weight** 1.9 kg

**Internal Resistance (at 1kHz)** 19 mΩ

**Maximum Discharge Current for 30 seconds:** 100A

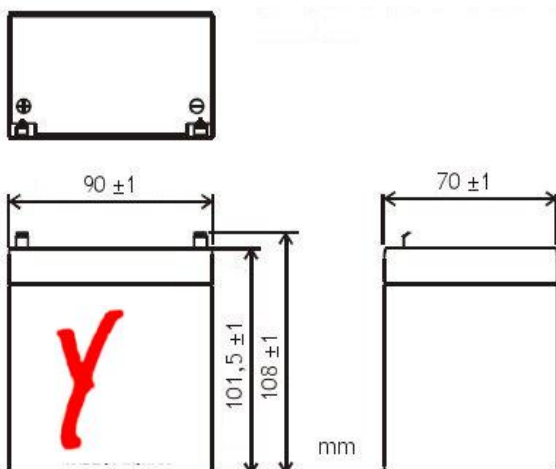
**Maximum Discharge Current for 5 seconds:** 200A

#### Operating Temperature Range

Charge	0°C to 40°C
Discharge	-15°C to 50°C
Storage	-15°C to 40°C

#### Charge Retention (shelf life) at 20°C

1 month	92%
3 month	90%
6 month	80%



#### Charging Methods at 25°C

##### Cycle use:

Charging Voltage 14.4 to 15.0V  
Maximum Charging Current: 1.5A

##### Standby use:

Float Charging Voltage 13.50 to 13.80V

#### Life expectancy:

##### Cycle Use:

100% depth of discharge 200 cycles  
80% depth of discharge 225 cycles  
50% depth of discharge 500 cycles

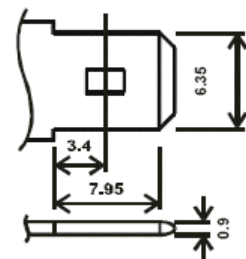
##### Standby Use:

3 ~ 5 years

#### Case Material: ABS

(Option: 94-HB & 94V-0 flame retardant case)

#### Terminal Type: SR



SR-pole

Order no. 60.05015

Certified according to UL.

